

KK-300H series | Bench Scale



TOTAL WEIGHING SOLUTION™

Crane series

...Clearly a Better Value



Warranty - Five Years



JQA-QM3646
JQA-EM1220



MS
JAB
CM009

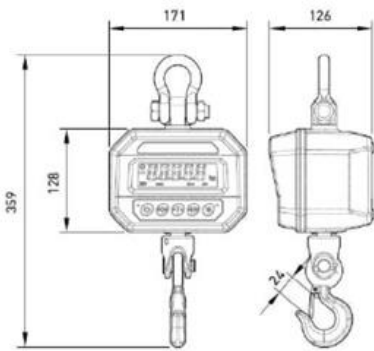


...Clearly a Better Value

KENKO®

Panasonic Kenko Electric. Co.Ltd

**A Multifunction Scale
that doesn't just weigh!**



TA-100, 500

TA-200

TF-100 (Option)



LIT: FG-K 01/08



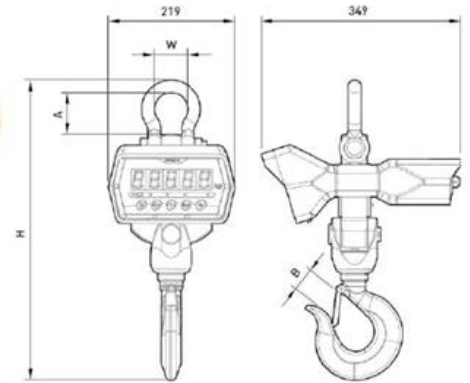
TB-5T



TB-10T



TF-100 (Option)



MODEL	DIMENSION			
	H	A	W	B
TB-1T	407	62	50	25
TB-3T	518	73	57	34
TB-5T	525	73	57	40
TB-10T	679	101	83	55

5 year warranty

OFFICIAL WARRANTY

KENKO®

KENKO®

Panasonic Kenko Electric. Co.Ltd

Three Types of Display



Designed for dependability and durability at a practical price!

STAINLESS STEEL WASHDOWN SCALES





Features

- Dual Range - 4 Capacities Available
- High resolution for accurate weighing/counting
- Simple and easy operation (9 large function keys)
- Counting & percentage mode
- Accumulation mode
- Weight/Count/Percentage comparison function (HI/OK/LO) with alarm beeps
- RS-232C interface (PC/Printer)
- Rechargeable battery
- Battery Saver w/Auto Power Off

- Backlight LCD
- Options: DLP-50 Label Printer
DEP-50 Receipt Printer
Dust Protection Cover
- Legal for Trade - COC # 09-072
* Counting feature not legal for trade

MODEL	DIMMENSION			
	H	A	W	B
TB -1T	407	62	50	25
TB -3T	518	73	57	34
TB-5T	525	73	57	40
TB -10T	679	101	83	55

The ED Series is an advanced multifunction scale, from checkweighing to counting...

Capacity	100kg	200kg	0 ~ 250kg / 250 ~ 500kg
Division	0.05kg	0.1kg	0.1kg / 0.2kg
Max. Tare Weight	100kg	200kg	500kg
Case Material	Engineering plastic	Engineering plastic	Engineering plastic
Weight	2.5kg	2.5kg	2.5kg
Operating Time	Approx.350hr		
Display	5 digit, 20mm LCD		
Water proof Level	IP65		
Temperature	-10°C ~ 40°C		
Keypad	Power , Zero , Tare , Hold , * (Back Light)		
Display Lamp	Low Battery, Zero, Tare, Hold, Stable		
Parts	Charging Adaptor, Infrared controller		
Battery	Lithium Polymer		
Charging Adaptor	DC 5V, 1A SMPS		

Labels & Receipt Samples

DEP-50 Receipt Printer

Cumulative Weight Sum Function- (DEP only)

WELCOME TO CAS
DATE: 20100201
TIME: 17:35:58

Weight: 4.180 kg
Weight: 4.200 kg
Weight: 4.200 kg
Weight: 4.200 kg
Weight: 4.200 kg
Weight: 4.200 kg
Weight: 4.200 kg
Weight: 4.200 kg
Weight: 4.200 kg
Weight: 4.200 kg
Weight: 4.200 kg
Total: 41.980 kg
Count: 10 times

-Counting Function-

WELCOME TO CAS
DATE: 20100201
TIME: 17:36:58

Weight: 40.200 lb
Quantity: 50 pcs

-COUNT LIMIT SET VALUE-
Limit(H): 2000 pcs
Limit(L): 1000 pcs

-Weighing Function-

WEIGHT
2888-89-24 15:24:38
Weight: 1234567 kg

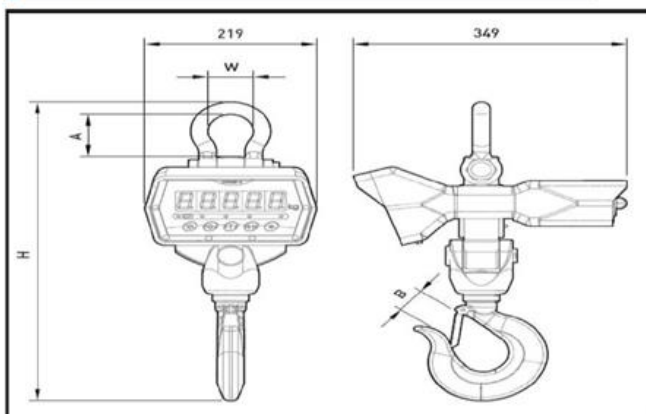
-WEIGHT LIMIT SET VALUE-
Limit(H): 1234567 kg
Limit(L): 1234567 kg

ED

Date: 2888-09-24 16:09:19
Net: 1234567 kg
Tare: 1234567 kg
gross: 1234567 kg 0-888881234565

Display Designators	STABLE, ZERO, NET, SUM, LO, OK, HI, pcs, lb, oz, g, kg, %, LACK OF UNIT
Zero Range	+/- 2%
Tare Range	Full Capacity by Subtraction
Power	AC adapter DC 12V/1A or 12V/800mA Internal rechargeable sealed acid battery - 6V DC
Battery Life	170 hours (without backlight)
Product Size (inch/mm)	13(W) x 13.6(D) x 4.2(H) / 330(W) x 346(D) x 107(H)
Platter Size (inch/mm)	12(W) x 8.75(D) / 300(W) x 222(D)
Operating Temp	-10°C ~ 40°C / 14°F ~ 104°F
Product Weight	9.9 lbs/4.5 kg

Dimensions



...Clearly a Better Value

Panasonic Kenko Electric Co, Ltd
36 Sisenju, Okio, Osaka 234-23354 Japan

Tel. 81-32-565434667

Specifications subject to change without notice

